

BIOPTRON AG
Sihleggstrasse 23
CH-8832 Wollerau
Switzerland
www.bioptron.com

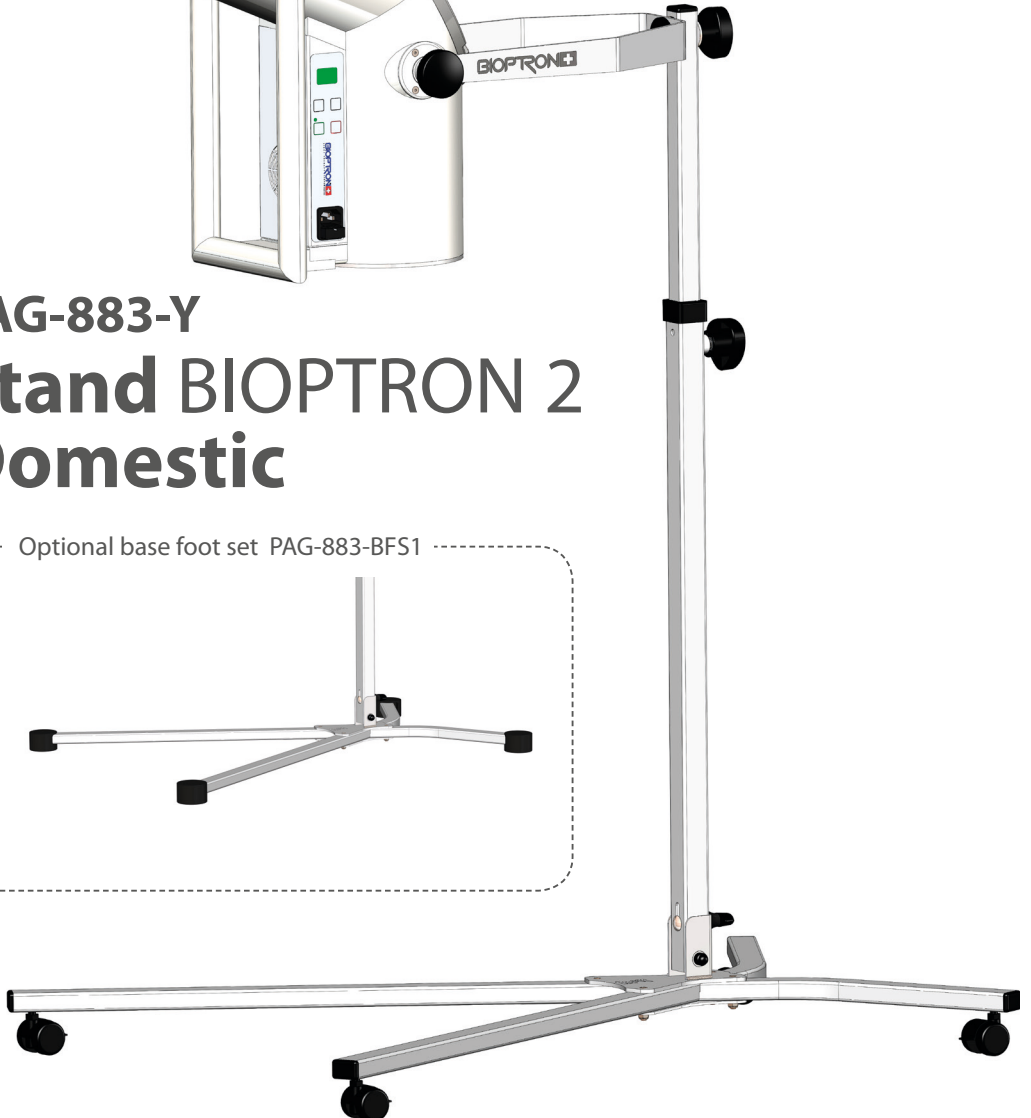
BIOPTRON[®] 
LIGHT THERAPY SYSTEM By Zepter Group

 **zepter[®]**
INTERNATIONAL
LIVE BETTER • LIVE LONGER



PAG-883-Y Stand BIOPTRON 2 Domestic

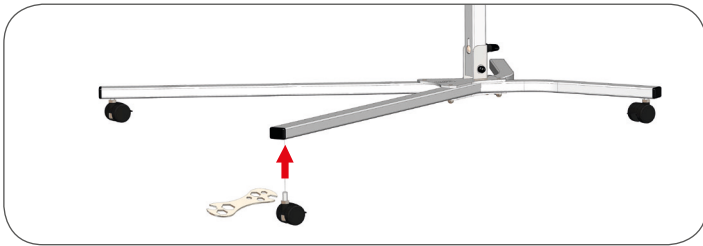
Optional base foot set PAG-883-BFS1



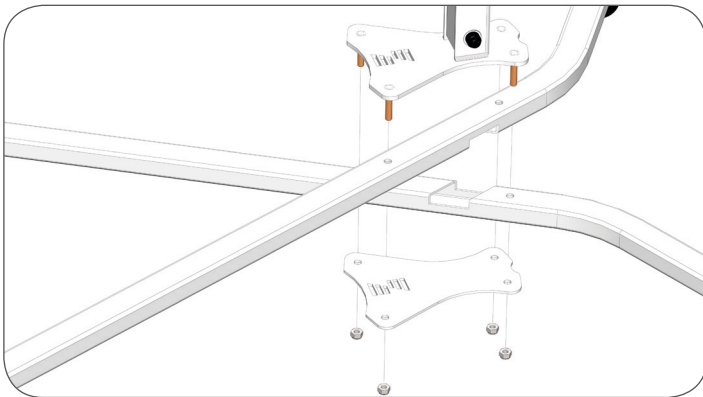
0



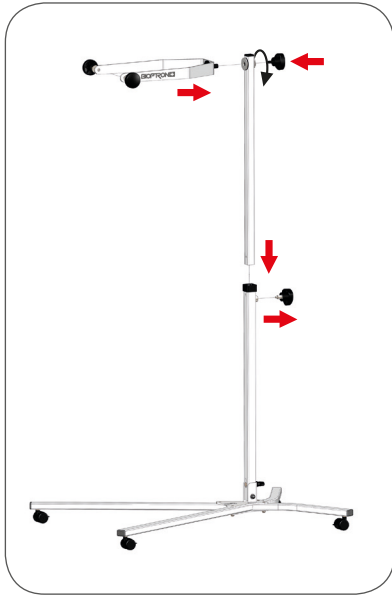
1



2



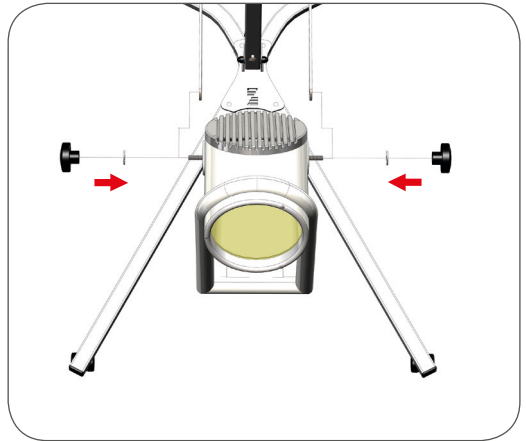
3



4



5



Optional base foot set
PAG-883-BFS1

